



Polyethylene Septic Tanks

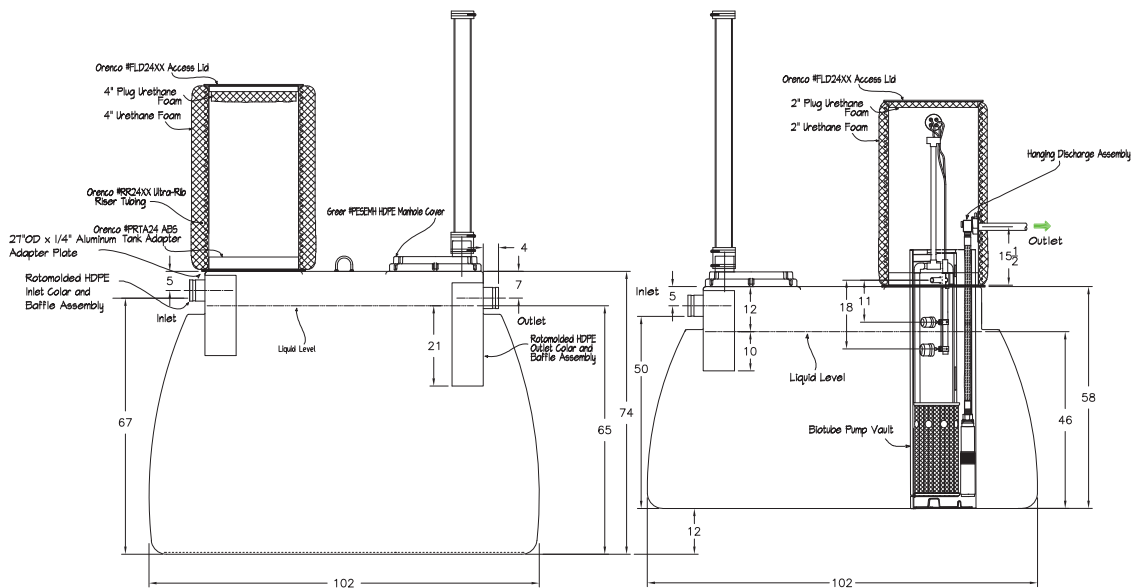
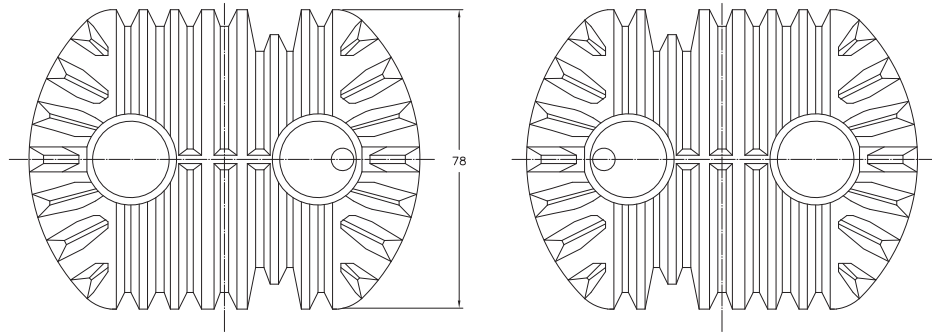
2,500 Gallon MOA Effluent Lift

To be used where gravity disposal is not possible.

Features:

- Approved for installation within the Municipality of Anchorage.
- Watertight manholes prevent seeping of groundwater.
- Single Compartment tanks.
- High-Grade Polyethylene Plastic construction.
- Complete package including manhole risers, couplings, pumping system, and controls.
- Rated for maximum burial depth of ten feet overburden.

*Tank manufactured in Fairbanks by Greer Tank & Welding, pumping system & controls manufactured by Orenco Systems.



1500 Single Compartment

1000 Single Compartment