

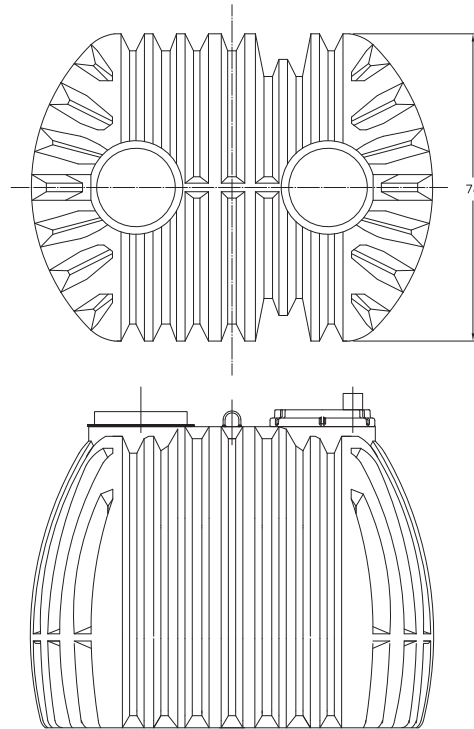


Polyethylene Septic Tanks 1,500 Gallon MOA configuration

Features:

- Approved for installation within the Municipality of Anchorage.
- Watertight manholes prevent seeping of groundwater.
- Dual Compartment.
- High-Grade Polyethylene Plastic construction.
- Complete package including manhole riser and couplings.
- Rated for maximum burial depth of ten feet overburden.

*Manufactured in Fairbanks by Greer Tank & Welding



Depth	Volume	Depth	Volume	Depth	Volume
76	1619	50	1264	24	603
75	1618	49	1241	23	575
74	1614	48	1219	22	547
73	1609	47	1196	21	519
72	1603	46	1173	20	491
71	1595	45	1150	19	464
70	1587	44	1126	18	437
69	1578	43	1102	17	410
68	1568	42	1077	16	383
67	1557	41	1052	15	356
66	1545	40	1027	14	329
65	1532	39	1002	13	302
64	1519	38	977	12	276
63	1505	37	951	11	249
62	1490	36	925	10	223
61	1474	35	899	9	197
60	1458	34	873	8	171
59	1441	33	847	7	145
58	1424	32	820	6	120
57	1405	31	793	5	95
56	1387	30	767	4	70
55	1367	29	740	3	47
54	1348	28	713	2	28
53	1327	27	685	1	12
52	1306	26	658		
51	1285	25	631		

