



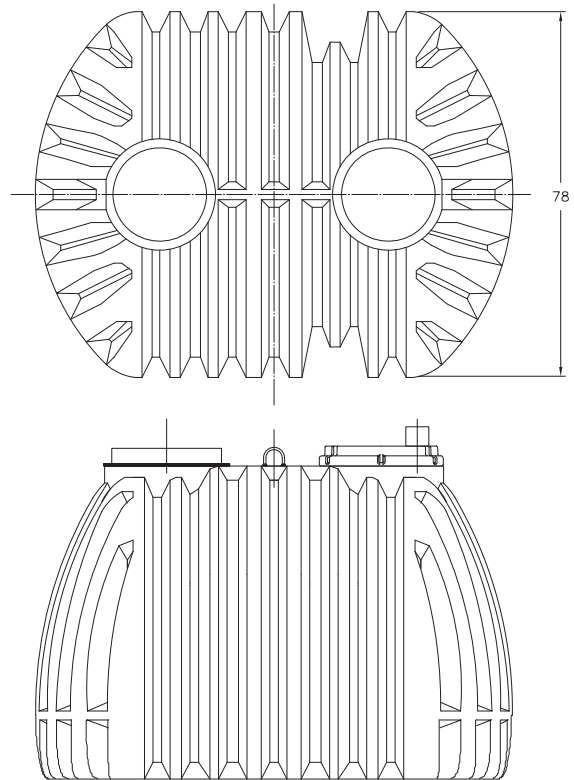
Polyethylene Septic Tanks

1,250 Gallon MOA configuration

Features:

- Approved for installation within the Municipality of Anchorage.
- Watertight manholes prevent seeping of groundwater.
- Dual Compartment.
- High-Grade Polyethylene Plastic construction.
- Complete package including manhole riser and couplings.
- Rated for maximum burial depth of ten feet overburden.

*Manufactured in Fairbanks by Greer Tank & Welding



1250 Gallon Poly Septic Tank Colume Chart					
Depth	Volume	Depth	Volume	Depth	Volume
67	1392	41	1037	15	377
66	1391	40	1015	14	349
65	1388	39	993	13	320
64	1383	38	970	12	292
63	1376	37	947	11	265
62	1369	36	923	10	238
61	1361	35	899	9	211
60	1352	34	875	8	184
59	1341	33	851	7	157
58	1330	32	826	6	130
57	1319	31	801	5	103
56	1306	30	776	4	76
55	1293	29	750	3	52
54	1279	28	725	2	31
53	1264	27	699	1	14
52	1248	26	673		
51	1232	25	647		
50	1215	24	620		
49	1197	23	594		
48	1179	22	567		
47	1160	21	540		
46	1141	20	513		
45	1121	19	486		
44	1101	18	459		
43	1080	17	432		
42	1059	16	405		

