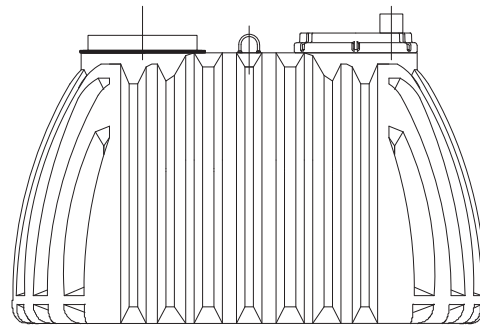
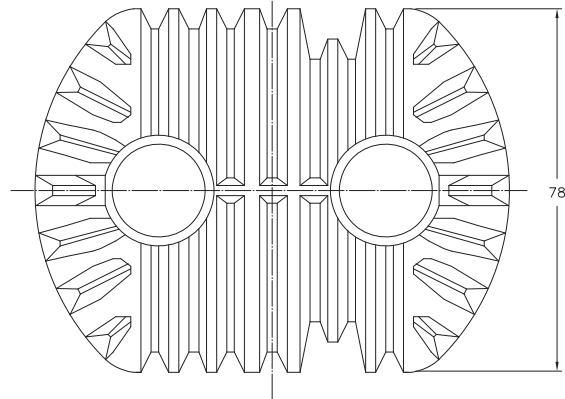




Polyethylene Septic Tanks 1,000 Gallon MOA configuration

Features:

- Approved for installation within the Municipality of Anchorage.
- Watertight manholes prevent seeping of groundwater.
- Dual Compartment.
- High-Grade Polyethylene Plastic construction.
- Complete package including manhole riser and couplings.
- Rated for maximum burial depth of ten feet overburden.



*Manufactured in Fairbanks by Greer Tank & Welding

1000 Gallon Poly Septic Tank Colume Chart					
Depth	Volume	Depth	Volume	Depth	Volume
58	1152	32	797	6	136
57	1151	31	775	5	108
56	1148	30	752	4	80
55	1142	29	729	3	54
54	1136	28	706	2	33
53	1129	27	683	1	14
52	1120	26	659		
51	1111	25	635		
50	1101	34	610		
49	1090	23	586		
48	1078	22	561		
47	1066	21	536		
46	1052	20	510		
45	1038	19	484		
44	1023	18	459		
43	1008	17	432		
42	991	16	406		
41	974	15	380		
40	957	14	353		
39	939	13	327		
38	920	12	300		
37	901	11	273		
36	881	10	246		
35	861	9	219		
34	840	8	192		
33	818	7	164		

