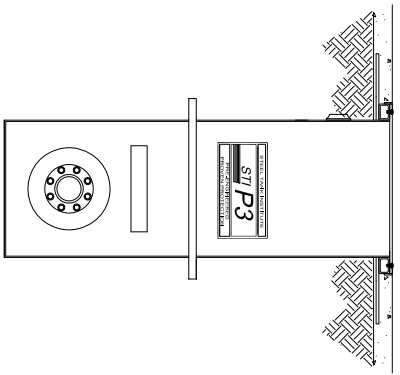
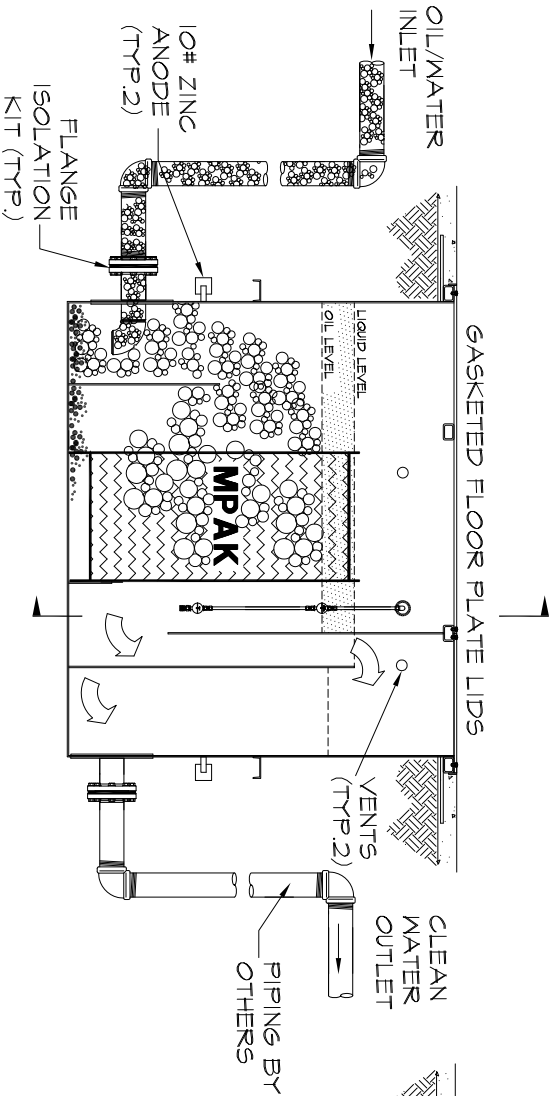


TOP VIEW

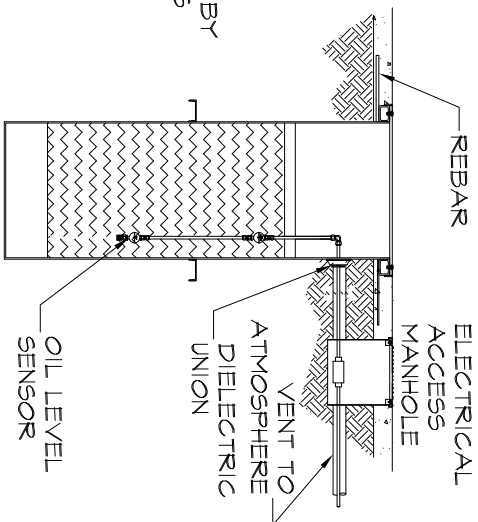


INLET VIEW



FRONT VIEW/SECTION

single wall construction shown



SECTION